

# Electro-Pneumatic Positioner TS600L (Linear type)

## Discription

TS600 Electro-Pneumatic Positioner controls the valve stroke in response to an input signal of 4-20mA from the control panel, DCS, or calibrator.



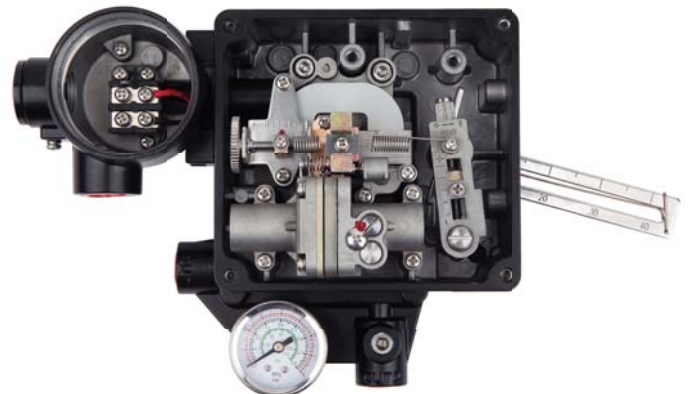
## Features

- + Fast response time, durability, and excellent stability
- + Simple zero and span adjustment
- + IP 66 enclosure
- + Strong anti vibration performance
- + By-pass valve (A/M switch) installed
- + Air connection part is designed for detachability and it can be changed PT/NPT tapping threads in the field easily

## Installation example



## Internal structure



# Electro-Pneumatic Positioner TS600L (Linear type)

## Specifications

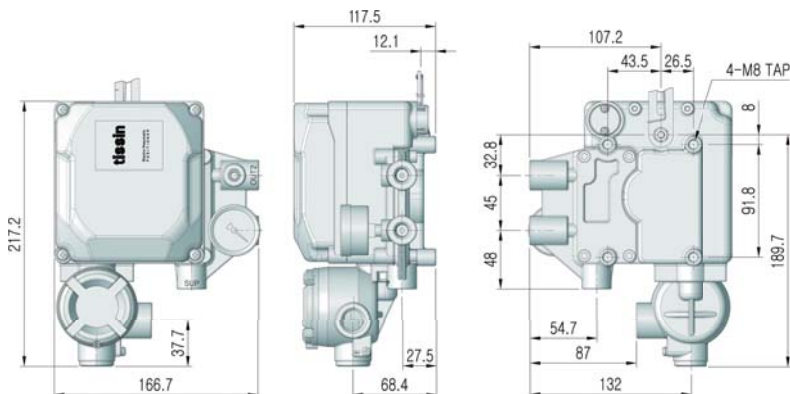
Model	TS600L(Single)	TS600L(Double)
Input signal	4~20mA DC	
Impedance	250 ±15Ω	
Supply pressure	0.14~0.7MPa	
Stroke	10~100mm	
Air connection	PT1/4, NPT1/4	
Gauge connection	PT1/8, NPT1/8	
Conduit	G(PF)1/2, NPT1/2	
Explosion proof type	Non-explosion proof Ex dmb IIB T5/T6, Ex dmb IIC T5/T6 Ex ia IIC T6	
Enclosure	IP66	
Ambient Temp.	Operating Temp.	-20°C~70°C (Standard type) -40°C~70°C(Option) -20°C~120°C(Option)
	Explosion proof	-40°C~60°C(T5) / -40°C~40°C(T6)
Linearity	±1.0% F.S.	±2.0% F.S.
Sensitivity	±0.2% F.S.	±0.5% F.S.
Hysteresis	±1.0% F.S.	
Repeatability	±0.5% F.S.	
Air consumption	Below 2.5LPM (Sup=0.14MPa)	
Flow capacity	Over 80LPM (Sup=0.14MPa)	
Material	Aluminum die cast	
Weight	2.8kg	

## Product number

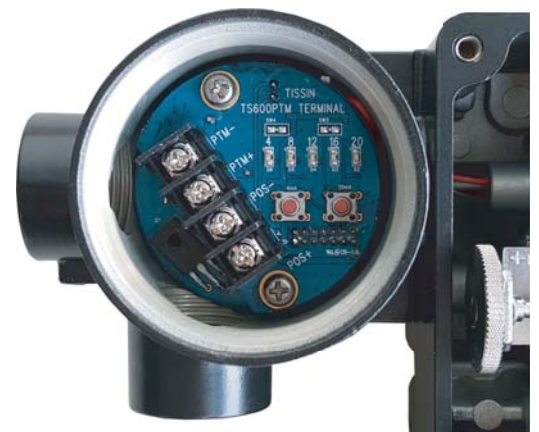
Model	TS600	L				
Acting type	Linear type	L				
Explosion proof type	Non-explosion proof	N				
	Ex dmb IIB T5/T6	B				
	Ex dmb IIC T5/T6	C				
	Ex ia IIC T5/T6	A				
Connection	Conduit entry	Air connection				
	G1/2	PT1/4	1			
	G1/2	NPT1/4	2			
	NPT1/2	NPT1/4	3			
	M20	NPT1/4	4			
Lever type	10 ~ 40mm					1
	40 ~ 70mm					2
	70 ~ 100mm					3
	100~ 150mm					4
Ambient Temp.	-20°C~70°C					S
	-20°C~120°C *					H
	-40°C~70°C					L
Option	None ( Standard type )					0
	With 4~20mA Position transmitter (Positioner is RA type) *					1
	With 4~20mA Position transmitter (Positioner is DA type) *					2

\* Must be Non-explosion proof type.

## Dimension [Unit:mm]



## Smart type position transmitter (Option code No.1)



# Electro-Pneumatic Positioner TS600R (Rotary type)

## Discription

TS600 Electro-Pneumatic Positioner controls the valve stroke in response to an input signal of 4-20mA from the control panel, DCS, or calibrator.



## Features

- + Fast response time, durability, and excellent stability
- + Simple zero and span adjustment
- + IP 66 enclosure
- + Strong anti vibration performance
- + By-pass valve (A/M switch) installed
- + Air connection part is designed for detachability and it can be changed PT/NPT tapping threads in the field easily

## Options

Option code No.1



TS600R with Position transmitter  
(Non-explosion proof type)

Option code No.2 or No.4



TS600R with Limit switch  
(Non-explosion proof type)

Option code No.3 or No.5



TS600R with Limit switch  
(Explosion proof type)

Option code No.6



With external Limit switch  
mounting device

# Electro-Pneumatic Positioner TS600R (Rotary type)

## Specifications

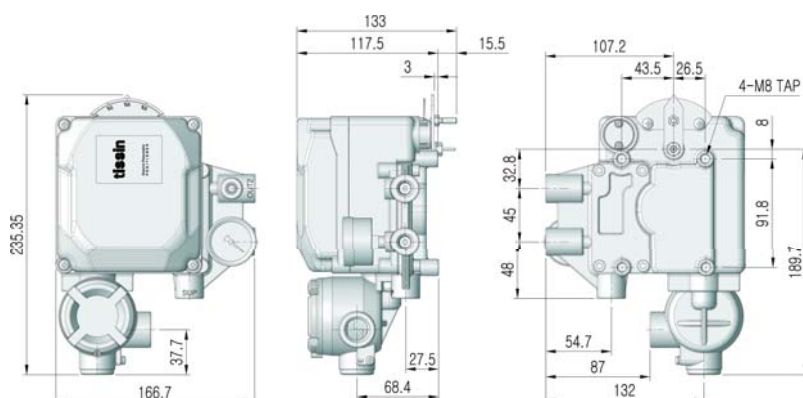
Model	TS600R(Single)	TS600R(Double)
Input signal	4~20mA DC	
Impedance	250 ±15Ω	
Supply pressure	0.14~0.7MPa	
Stroke	0~90°	
Air connection	PT1/4, NPT1/4	
Gauge connection	PT1/8, NPT1/8	
Conduit	G(PF)1/2, NPT1/2	
Explosion proof type	Non-explosion proof Ex dmb IIB T5/T6, Ex dmb IIC T5/T6 Ex ia IIC T6	
Enclosure	IP66	
Ambient Temp.	Operating Temp.	-20°C~70°C (Standard type) -40°C~70°C( Low Temp.) -20°C~120°C(High Temp.)
	Explosion proof	-40°C~60°C(T5) / -40°C~40°C(T6)
Linearity	±1.0% F.S.	±2.0% F.S.
Sensitivity	±0.2% F.S.	±0.5% F.S.
Hysteresis	±1.0% F.S.	
Repeatability	±0.5% F.S.	
Air consumption	Below 2.5LPM (Sup=0.14MPa)	
Flow capacity	Over 80LPM (Sup=0.14MPa)	
Material	Aluminum die cast	
Weight	2.8kg	

## Product number

Model	TS600	R				
Acting type	Rotary type	R				
Explosion proof type	Non-explosion proof	N				
	Ex dmb IIB T5/T6	B				
	Ex dmb IIC T5/T6	C				
	Ex ia IIC T5/T6	A				
Connection	Conduit entry	Air connection				
	G1/2	PT1/4	1			
	G1/2	NPT1/4	2			
	NPT1/2	NPT1/4	3			
	M20	NPT1/4	4			
Lever type	M6 x 34L				1	
	NAMUR				5	
Ambient Temp.	-20°C~70°C					S
	-20°C~120°C *					H
	-40°C~70°C					L
Options	None ( Standard type )					0
	Position transmitter(4~20mA) *					1
	With Limit switch *					2
	With Limit switch (Explosion proof type)					3
	With Position transmitter and Limit switch *					4
	With Position transmitter and Limit switch (Explosion proof type)					5
With external Limit switch mounting device						6

\* Must be non-explosion proof type.

## Dimension [Unit:mm]



## Smart type position transmitter (Option code No.1)

